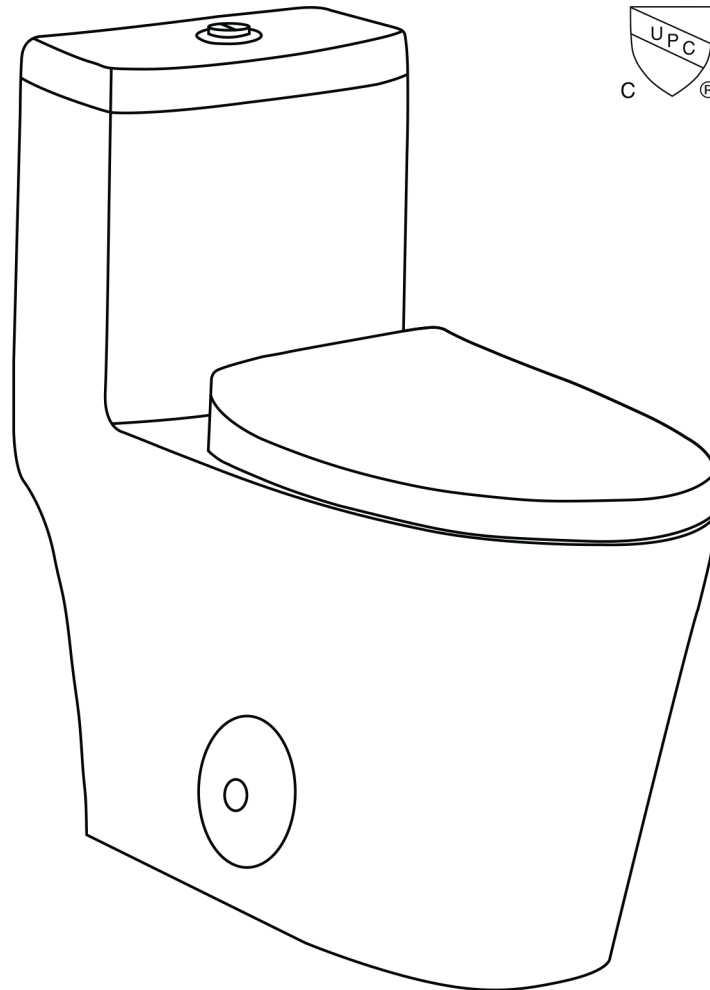




**BLOSSOM**<sup>®</sup>  
luxury made simple



**T9 05**

**One-Piece Toilet**

**Specifications & Installation Guide**

**Features:**

- Water-saving 1.1 GPF / Powerful Flushing 1.6 GPF Dual Mode
- Self-Cleaning Surface / Glaze with Nanomaterials
- Dule Cyclone Rimless Flush / More Waste Removal (MaP 1000g), Water Efficiency, Quieter
- Slow-closing Seat Cover
- Low-Noise Design with Siphon Drainage
- Bacteria-resistance Glazed Surface
- Fully Vitreous China with Leak-proof / 2246 F° High-temp. Firing Made
- Anti-clogging Features with Large Pipeline and Siphone Drainage
- Easy-installation Design / One Piece Toilet with One-click Installation Seat Cover
- UPC Certification, Compliant with ASME Standards, EPA Watersense Labeled

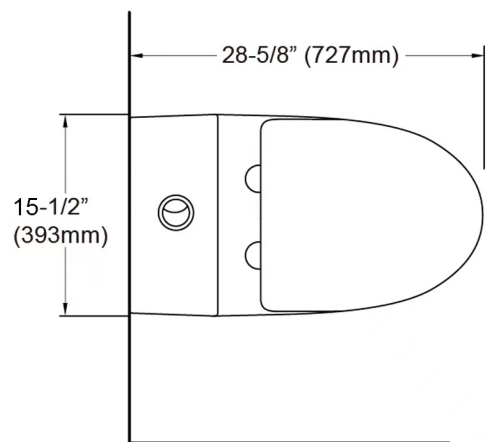
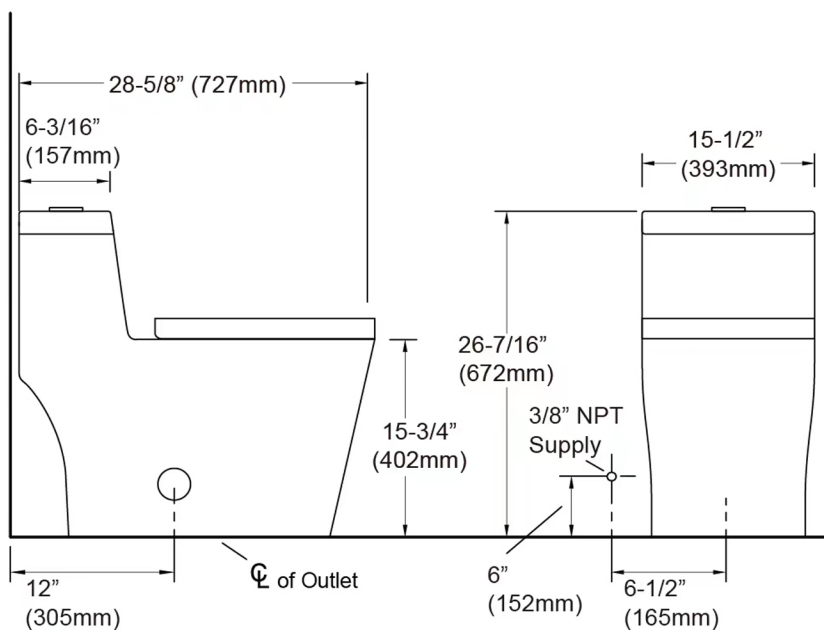


**Specifications:**

- Length: 28-5/8" (727 mm)
- Width: 15-1/2" (393 mm)
- Height: 26-7/16" (672 mm)
- Net Weight: 106 lb (48kg)

**Installation:**

- Floor Mount
- Standard 12" (305 mm) Rough-in





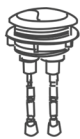
**Prior to Installation:**

- **Carefully** remove the toilet from the packaging, ensuring not to damage any parts.
- **Properly** measure dimensions according to the reference instructions, and comply with applicable plumbing and building CODES.
- **For your safety**, use appropriate tools and protective equipment, at least two people are required as the product is FRAGILE.
- **BLOSSOM** recommends engaging a licensed professional for all product installations to avoid discrepancies and ensure liability.

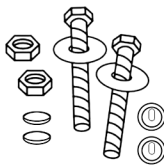
**Included Accessories:**



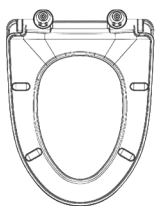
Wax Ring (Gasket)



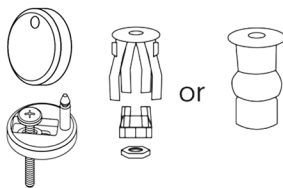
Dual-Flush Button



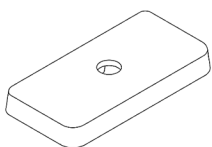
Nuts Washers Bolts



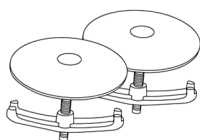
Seat Cover



Toilet Seat Cover Screw Set



Toilet Tank Lid

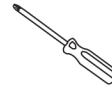


Side Cover Sets (2)

**Suggested Tools & Materials:**



Safety Glasses



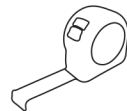
Screwdriver



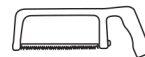
Wrench



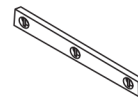
Flexible Supply Tube



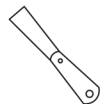
Tape Measure



Hacksaw



Level



Putty Knife

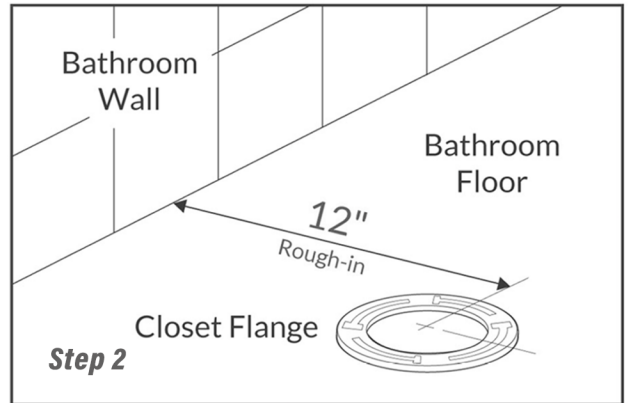
(All the Items Above not Included in the Product)

**1. Remove Old Toilet**

- Turn off the water supply valve, flush the old toilet tank. Make sure the floor is clean, level, and dry.

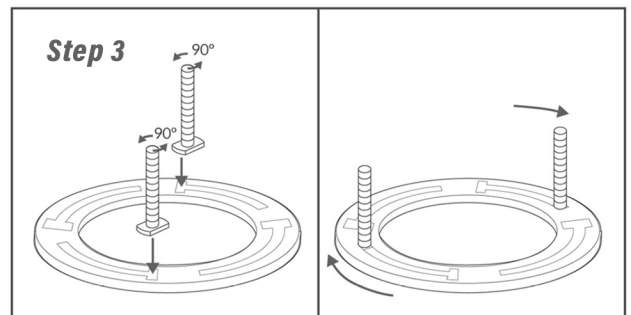
**2. Rough-In the Toilet**

- Measure the rough-in distance as 12 inches from the wall to the center of the closet flange.



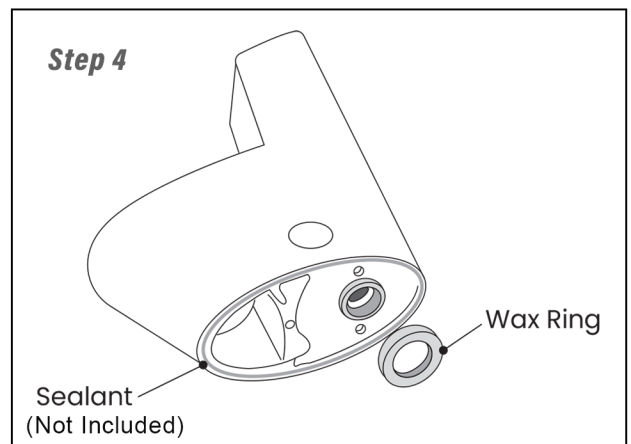
**3. Install Closet Bolts**

- Place and slide two bolts into the closet flange channel that is parallel to the wall.



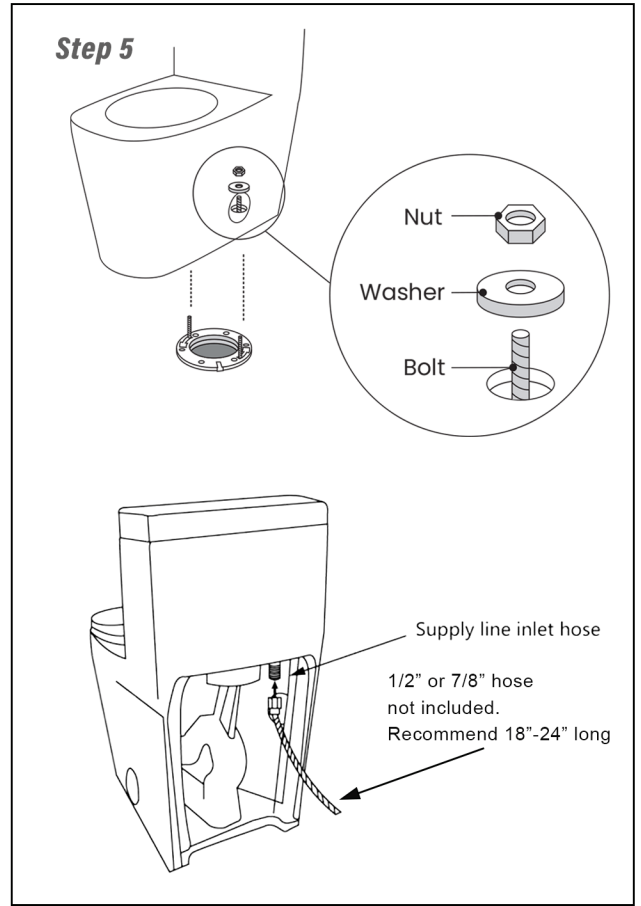
**4. Install Wax Ring**

- Upside-down the toilet and install the wax ring on the toilet's outlet hole that is under the toilet.



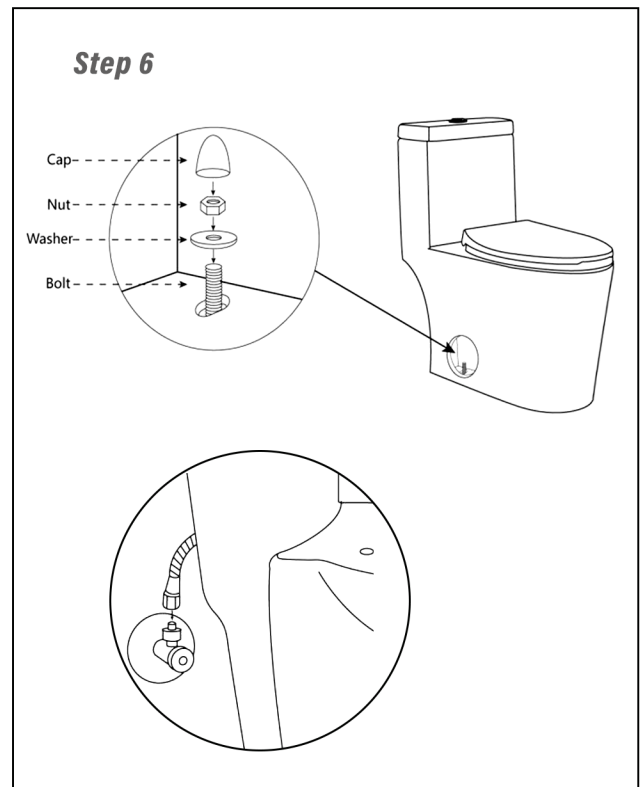
### 5. Place the Toilet onto Flange

- Place the toilet on the flange over the bolts.
- Remove the floor waste opening plug, and put washers and nuts in the bolts. Connect the flexible water supply hose (not included) to the inlet valve, finger tight, but don't connect to the water shut-off valve yet. Select the appropriate 1/2" or 7/8" (adapter provided) supply line inlet hole based on your supply line size.



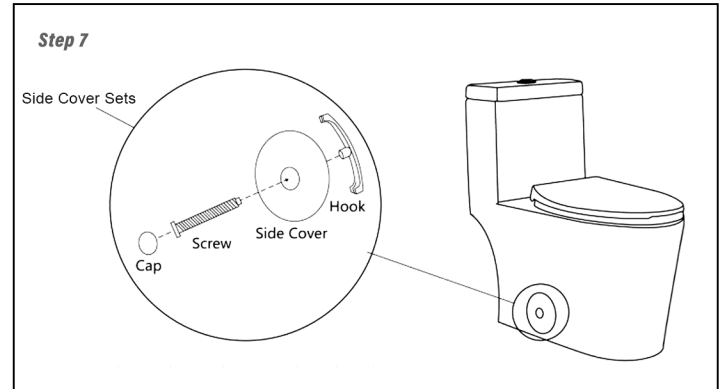
### 6. Install Toilet

- Alternate tightening the nuts until the toilet is securely sealed to the floor, being cautious not to over-tighten and risk cracking the ceramic.
- Clean off excess sealant around the base and apply cover caps to hide installation holes.
- Connect water supply and test for functioning and leaks.



## 7. Install Side Cover Caps

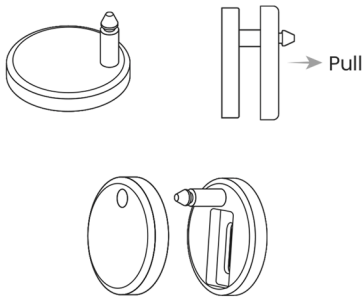
- Use the screwdriver to tighten the side covers.



## Toilet Seat Installation

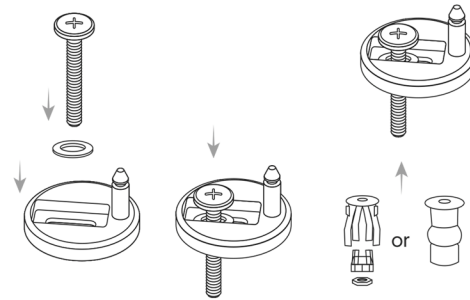
### 1. Disassemble

- Separate the cover cap and the hinge.



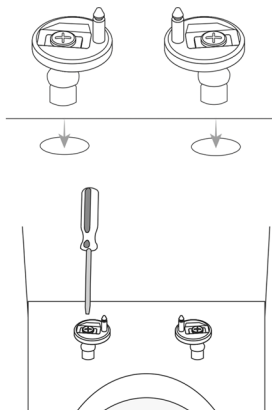
### 2. Construct the Hinges

- Insert the screw and nut into the hinge hole.
- Attach the blind holes screw fixing to the bottom of the screw.



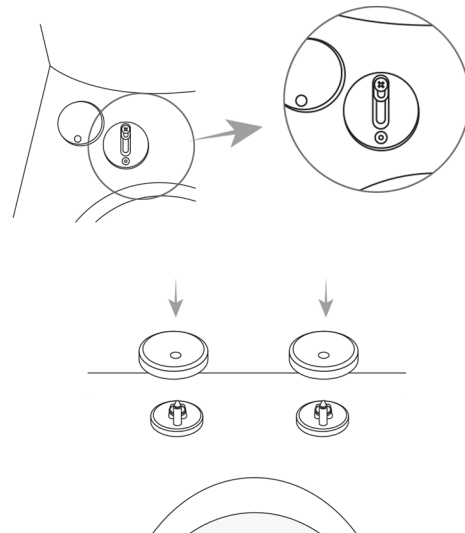
### 3. Attach the Hinges

- Insert the hinges with the blind holes screw fixings attached into the corresponding holes on the toilet bowl.
- Lightly tighten the hinges using a screwdriver, leaving room for adjustments later.



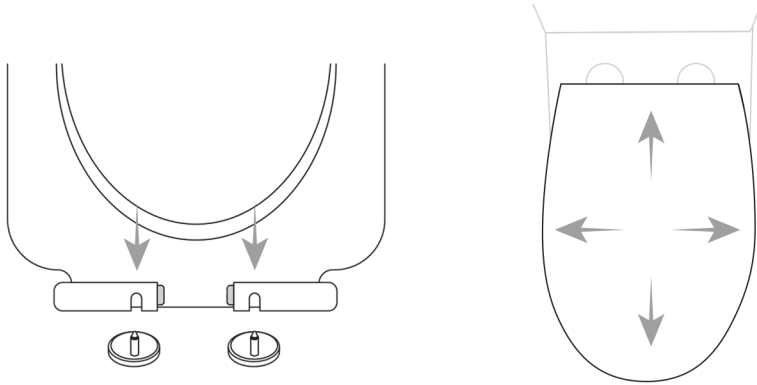
### 4. Adjust and Cover the Hinges

- Make sure the hinge is fully extended for proper seat fit.
- Place the covers onto the hinges.



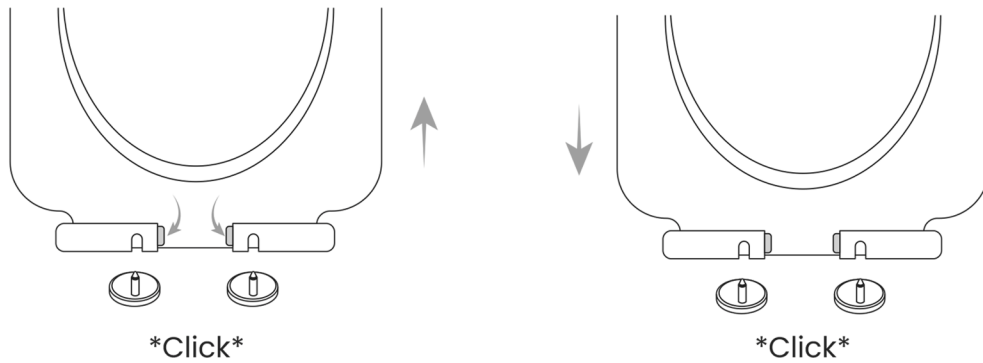
### 5. Adjust and Attach the Seat

- Securely fasten the hinges to align the seat with the bowl.
- Attach the seat onto the hinges and adjust as needed for proper alignment.



### Toilet Set Usage

- To detach, press the central button until it clicks and lift straight up.
- To reattach, align the hinge posts with the reference marks on the seat and push down until it clicks.





## **ONE YEAR LIMITED WARRANTY**

BLOSSOM takes pride in the exceptional quality of its products, meticulously crafted with durable materials. We offer a one (1) year limited warranty that covers defects in materials or workmanship that are discovered during normal use. If any such defects are found, we will replace the parts or product at no charge to the original purchaser, subject to proof of purchase.

To ensure proper installation and avoid product failure, we recommend that all BLOSSOM products be installed by a licensed professional. It is important to understand that any damage or failure that arises from improper installation, misuse, or failure to engage a licensed professional is not the responsibility of BLOSSOM.

This limited warranty will be voided if:

- Installation recommendations are not followed.
- The product was moved from its original installation location.
- The product was modified from its original state.
- Improper maintenance, misuse, abuse, or damage occurs.

BLOSSOM holds no liability for any special, incidental, or consequential damages that may arise from the installation, replacement, return, or use of our products. Our warranty is explicitly defined and comprehensive, covering specific issues as outlined. Any matters that fall outside the scope of our warranty are not within our responsibility.

BLOSSOM KITCHEN AND BATH CORP.

ALL RIGHTS RESERVED